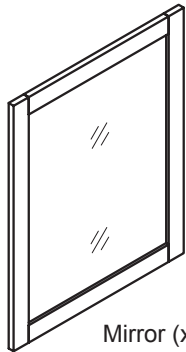
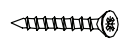


Questions? Call our customer service department at 1-855-995-5578, 8:30 a.m. - 5 p.m., EST, Monday - Friday or e-mail: contactus@magickwoods.com.

PACKAGE CONTENTS



24"W x 3/4"D x 30"H



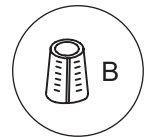
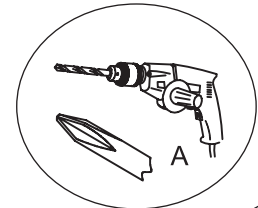
2" screws (x 2)

Mirror (x 1)

PREPARATION

Tools required for assembly (not included):

- tape measure
- electric drill with #2 drill bit (A)
- level
- (x 2) wall anchors - if the mirror will not be screwed to wall studs (B)



Estimated installation time: 1/2 hour

⚠ WARNINGS & CAUTIONS

WARNING:

Two people are required for safe installation. Take extra precautionary measures to ensure a secure grip on the mirror when lifting.

CAUTION:

The bathroom wall must be finished prior to installation of the mirror.

CARE & MAINTENANCE

- To maintain the beauty of the mirror finish, avoid placing the mirror in direct sunlight.
- Avoid exposing the mirror to extreme temperatures by installing away from heat and air vents.
- Dust frequently with a clean, soft and dry cloth.
- Wipe away any water or liquid spills on the mirror immediately with a clean, soft and dry cloth.

INSTALLATION

1: 1) Determine the desired location of the mirror. 2) Mark the location of the mounting screws on the wall, ensuring that they are level. Figure 1. It is recommended that the mirror be installed to at least 1 wall stud. In order to locate wall studs, you can use a stud finder or tap along the wall until you find a spot that sounds solid. If you are unable to locate a wall stud, it is recommended that you use wall anchors (B - not included) to secure your mirror.

2: If using wall anchors: using a drill, create a hole in the wall for each wall anchor over the marked locations. Insert (x 2) wall anchors (B). Insert (x 1) 2" screw into each wall anchor. Figure 2.

If installing directly into wall studs: using a drill, insert (x 1) 2" screw into each marked location. Figure 2.

3: Hang the mirror on the screws using the mounting hardware preassembled to the mirror. Figure 3.

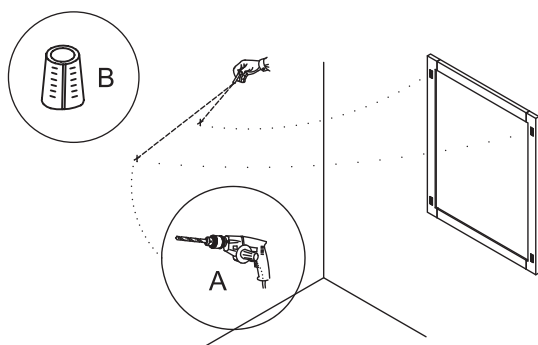


Figure 1

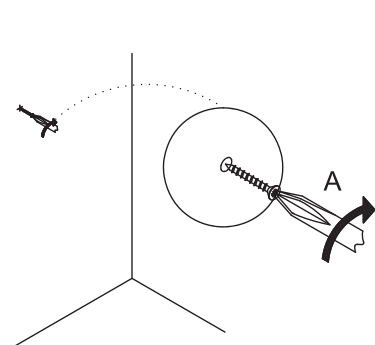


Figure 2

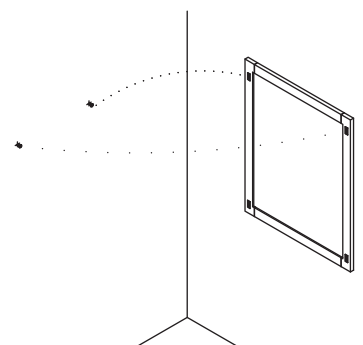
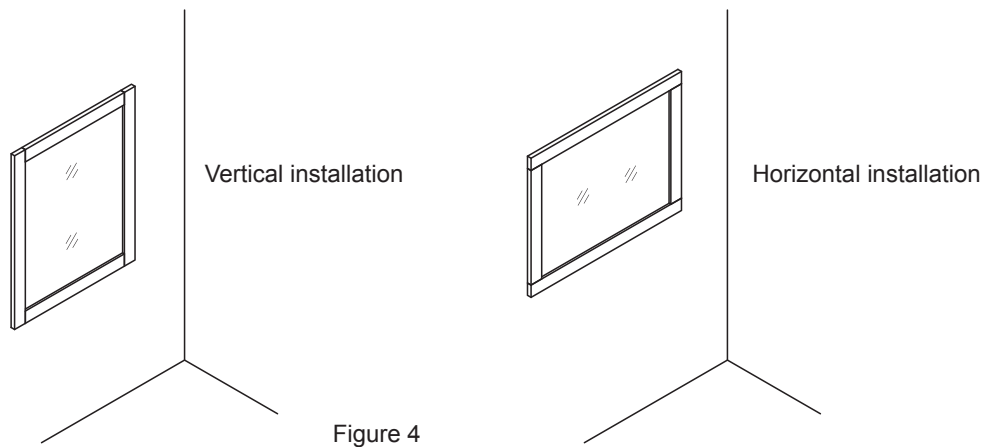


Figure 3

NOTE: The mirror hangs vertically or horizontally. Figure 4.



TROUBLESHOOTING

Problem:

Mirror is higher on one side than the other.

Possible Cause:

- 1) Mounting screws are not level.
- 2) Hanging hardware on the mirror is not level.

Corrective Action:

- 1) Remove the mirror from the wall and re-check the screws; adjust as needed.
- 2) Measure the position of the hanging hardware on the back of the mirror and ensure that it is level, adjust as needed.

WARRANTY

All products should be checked for defects or damages prior to installation and any defects or damages should be notified to Magick Woods Exports Pvt. Ltd. **What This Warranty Covers:** Magick Woods Exports Pvt. Ltd. warrants its products to be free from substantial defects in materials and workmanship from the original date of purchase under normal home use. This warranty is offered only to the original consumer purchaser and may not be transferred. Magick Woods Exports Pvt. Ltd. is only responsible for the actual purchase price.

How Long The Warranty Lasts: Coverage for all vanity cabinets, fixed vanities, drawer banks, bath storage cabinets, linen cabinets, wall hutches, fillers, toe kicks, medicine cabinets, mirrors, and accessories lasts from 3 years from the original date of purchase.

What Magick Woods Exports Pvt. Ltd. Will Do Under The Warranty: During the warranty period, Magick Woods Exports Pvt. Ltd., at its option, will repair or replace any part or product that proves to have substantial defects in materials or workmanship, or Magick Woods Exports Pvt. Ltd. will provide an equivalent replacement product. Magick Woods Exports Pvt. Ltd. reserves the right to change specifications in design and materials without notice and with no obligation to replace products that were previously manufactured.

Implied Warranties: Magick Woods Exports Pvt. Ltd. disclaims any implied warranty of merchantability, and there are no warranties that extend beyond the descriptions on the face hereof.

Wood, Aging and Appearing in Printed Materials: Because of the varying natural characteristics of wood and the effects of aging, product shown in displays and / or printed materials (such as product photos printed in brochures, fliers, catalogs, etc.) will not be an exact match to the cabinetry you will receive. Depending on the wood characteristics, the age of a sample and the environment of the showroom, samples will show some degree of variation from new product. In addition, you should not expect all doors, drawer fronts, trim, or moulding to match exactly in either finish or grain. Variation in wood is normal and unavoidable. In addition, it is not possible to exactly match our colors in printed materials. Therefore, you should view the actual samples when making your color selection.

What This Warranty Does Not Cover: This warranty does not cover any problems or damage which result from improper transportation, improper installation, mishandling, misuse, abuse, neglect, abnormal use, commercial use, improper maintenance, unauthorized repairs, accidents, or acts of God, such as hurricanes, fire, earthquakes or floods. The warranty and any applicable implied warranties do not cover incidental or consequential damages arising from any defects in the product such as labor charges for installation or removal of the product or any associated products. Magick Woods Exports Pvt. Ltd. is not responsible for any installation charges. This warranty does not cover defects or damage caused by normal wear and tear, alterations, environmental conditions, humidity absorption, or mold. In addition, variations in wood grain, finish color, aging, or other natural wood stain characteristics are not considered defects and are not covered by this warranty.

How to Obtain Warranty Service: If you need replacement parts or would like to make a warranty claim, please contact our Customer Service Representative by email, fax, or telephone at the email or telephone / fax numbers listed. All warranty claims must include the model number of the product, copy of the original receipt, and the nature of the problem. In addition, Magick Woods Exports Pvt. Ltd. may at its discretion require inspection of the installation site, photography, or authorize the prepaid return of the claimed defective part. Merchandise not pre-approved for return will not be accepted and the associated claim not accepted. If upon inspection you find your product is damaged or missing parts, it is not necessary to return the unit to the store of purchase. Please contact Magick Woods Exports Pvt. Ltd. Customer Service to obtain a replacement part.

Magick Woods Exports Pvt. Ltd. Customer Service:

Phone: 1-855-995-5578 • Fax: 905-738-5579 • Email: contactus@magickwoods.com

BRIGHTON COLLECTION

24" MIRROR



SKU # 677-1008
24"W x 30"H x 3/4"D

Product Specifications:

- Available in dark chocolate
- Horizontal or vertical installation
- Hanging hardware included

Product Dimensions

24"W x 30"H x 3/4"D

